

Product: Drop in Circulator



Part Number: LHX-0.95/1.15-IN-400W-YS

Specification				
No.	Parameter	25℃	-40~+85℃	Units
1	Frequency range	0.95-1.15		GHz
2	Insertion Loss	Max≤0.5dB;@1030~1090MHz0.3dB	≤0.5	dB
3	Isolation	Min≥18dB;@1030~1090MHz24dB	≥17	dB
4	VSWR	Max≤1.25;@1030~1090MHz≤1.20	≤1.3	dB
5	Impedance	50		Ω
6	Forward Power	Peak:6KW ; pulse:128us ; Duty cycle:6.4%(CW400W)		
7	Operating Temperature Range	-40~+85℃		
8	Connector	Drop in		
9	Direction	1→2→3 clockwise		
10	Preferred finish colour	silver		

Mechanical Specifications	
Housing	Alloy
Connector	Gold plated brass
Contact:	copper
Rohs	compliant
Weight	0.1kg

### Outline Drawing:

All Dimensions in mm

Tolerances : Unnoted tolerances are in class m of GB-T1804-2000

All Connectors: Drop in

成都利德尔科技有限公司 ChengDu Leader Microwave Technology Co.,Ltd

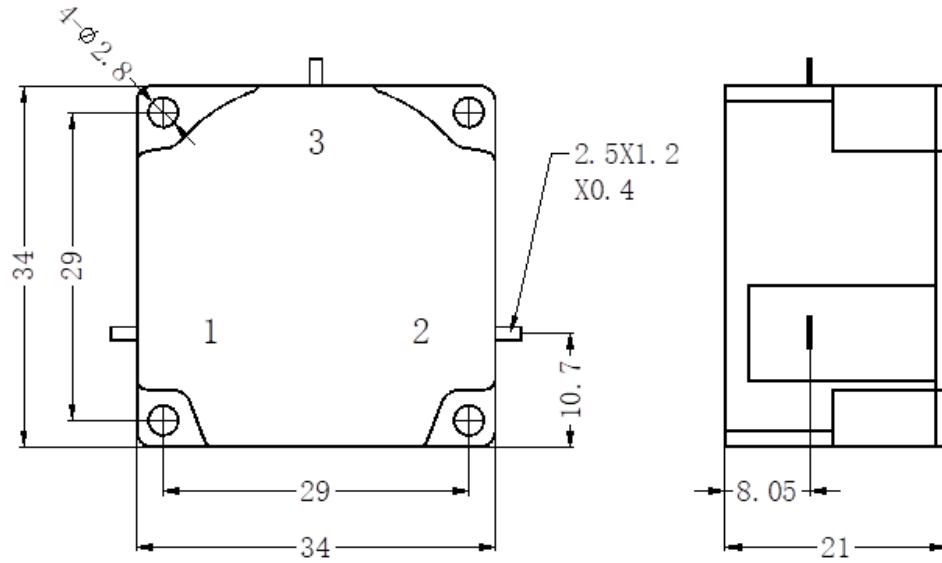
电话: 028-65199117 传真: 028-65199116

<http://www.leadermicrowave.com> sales@leader-mw.com

TEL: +86-28-65199117 FAX: +86-28-65199116

Add: 中国 成都市成华区华翰路 89 号 610000

No.89,Huahan Road, chenghua Zone Chengdu, Sichuan China Zip Code:610000



成都利德尔科技有限公司 ChengDu Leader Microwave Technology Co.,Ltd

电话: 028-65199117 传真: 028-65199116

<http://www.leadermicrowave.com> [sales@leader-mw.com](mailto:sales@leader-mw.com)

TEL: +86-28-65199117 FAX: +86-28-65199116

Add: 中国 成都市成华区华翰路 89 号 610000

No.89,Huahan Road, chenghua Zone Chengdu, Sichuan China Zip Code:610000